

# HSK DIN 69893 - Shrink Fit Holder - HSK A63

## G2,5/20.000 rpm



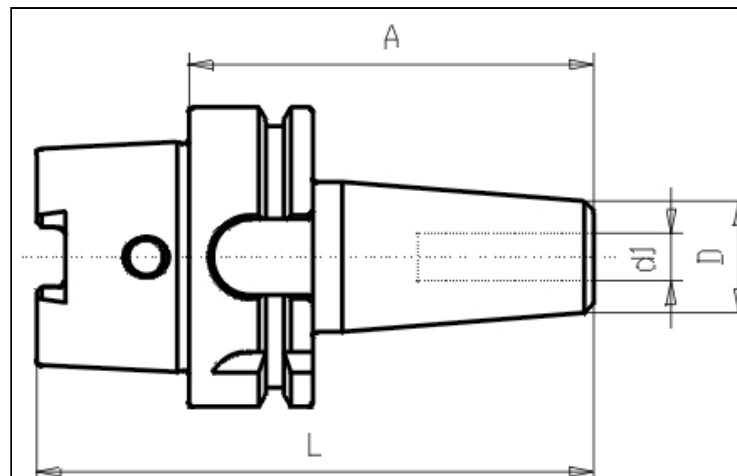
[https://www.kfh-hermann.de/shop/product\\_info.php?products\\_id=241&XTCsid=m817sb4bung771cb252be1rsc2](https://www.kfh-hermann.de/shop/product_info.php?products_id=241&XTCsid=m817sb4bung771cb252be1rsc2)

### Illustration



([https://www.kfh-hermann.de/shop/images/product\\_images/original\\_images/bilder\\_B628.jpg?XTCsid=m817sb4bung771cb252be1rsc2](https://www.kfh-hermann.de/shop/images/product_images/original_images/bilder_B628.jpg?XTCsid=m817sb4bung771cb252be1rsc2))

### Drawing



([https://www.kfh-hermann.de/shop/images/product\\_images/original\\_images/skizzen\\_Z628mb.jpg?XTCsid=m817sb4bung771cb252be1rsc2](https://www.kfh-hermann.de/shop/images/product_images/original_images/skizzen_Z628mb.jpg?XTCsid=m817sb4bung771cb252be1rsc2))

### Technical information

<b>Usage:</b>	For milling-tools with zylindrical shaft type Weldon DIN 1835 Form B.
<b>Version:</b>	Suitable for internal coolant flow Form AD/B = either central or over collar
<b>Accuracy:</b>	Max. runout 3 µm.
<b>Customs tariff code:</b>	84 661 02 0
<b>Balanced:</b>	G2,5 20.000 rpm

### Variants

Product No.	HSK	d1	A	L	D	weight in kg	Stock 03.05, 08:24	Net-price
G628A 63x 3x 80	A63	3	80	112	10	0,8	2	Please start an inquiry
G628A 63x 4x 80	A63	4	80	112	15	0,8	1	Please start an inquiry
G628A 63x 4x120	A63	4	120	152	15	1	on inquiry	Please start an inquiry
G628A 63x 5x 80	A63	5	80	112	15	0,8	on inquiry	Please start an inquiry
G628A 63x 5x120	A63	5	120	152	15	1	on inquiry	Please start an inquiry
G628A 63x 6x 80	A63	6	80	112	20	0,8	6	Please start an inquiry
G628A 63x 6x120	A63	6	120	152	20	1	6	Please start an inquiry
G628A 63x 6x160	A63	6	160	192	20	1,1	on inquiry	Please start an inquiry

G628A 63x 8x 80	A63	8	80	112	20	0,8	10	<b>Please start an inquiry</b>
G628A 63x 8x120	A63	8	120	152	20	1	on inquiry	<b>Please start an inquiry</b>
G628A 63x 8x160	A63	8	160	192	20	1,1	on inquiry	<b>Please start an inquiry</b>
G628A 63x10x 85	A63	10	85	117	24	0,9	21	<b>Please start an inquiry</b>
G628A 63x10x120	A63	10	120	152	24	1	14	<b>Please start an inquiry</b>
G628A 63x10x160	A63	10	160	192	24	1,3	on inquiry	<b>Please start an inquiry</b>
G628A 63x12x 90	A63	12	90	122	24	0,9	18	<b>Please start an inquiry</b>
G628A 63x12x120	A63	12	120	152	24	1	8	<b>Please start an inquiry</b>
G628A 63x12x160	A63	12	160	192	24	1,3	1	<b>Please start an inquiry</b>
G628A 63x14x 90	A63	14	90	122	27	0,9	2	<b>Please start an inquiry</b>
G628A 63x14x120	A63	14	120	152	27	1,3	on inquiry	<b>Please start an inquiry</b>
G628A 63x16x 90	A63	16	90	122	27	1	13	<b>Please start an inquiry</b>
G628A 63x16x120	A63	16	120	152	27	1	9	<b>Please start an inquiry</b>
G628A 63x16x160	A63	16	160	192	27	1,4	on inquiry	<b>Please start an inquiry</b>
G628A 63x18x 95	A63	18	95	127	33	1,1	1	<b>Please start an inquiry</b>
G628A 63x18x120	A63	18	120	152	33	--	4	<b>Please start an inquiry</b>
G628A 63x20x100	A63	20	100	132	33	1,1	7	<b>Please start an inquiry</b>
G628A 63x20x120	A63	20	120	152	33	1	19	<b>Please start an inquiry</b>
G628A 63x20x160	A63	20	160	192	33	1,6	on inquiry	<b>Please start an inquiry</b>
G628A 63x25x115	A63	25	115	147	44	1,6	5	<b>Please start an inquiry</b>
G628A 63x25x160	A63	25	160	192	44	2	1	<b>Please start an inquiry</b>
G628A 63x32x120	A63	32	120	152	44	2	1	<b>Please start an inquiry</b>

Stock data from 2021-05-03 08:24:38

## Kontakt

KARL HERMANN GmbH | Varnbülerstrasse 10 - 12 | D - 71229 Leonberg | | Tel.: +49 (0)7152 / 93992-0 | Fax: +49 (0)7152 / 93992-4 | E-Mail: [verkauf@kfh-hermann.de](mailto:verkauf@kfh-hermann.de) | Internet: <http://www.kfh-hermann.de>

2021-05-06 21:43:19, [https://www.kfh-hermann.de/shop/product\\_info.php?products\\_id=241&XTCsid=m817sb4bung771cb252be1rsc2](https://www.kfh-hermann.de/shop/product_info.php?products_id=241&XTCsid=m817sb4bung771cb252be1rsc2)